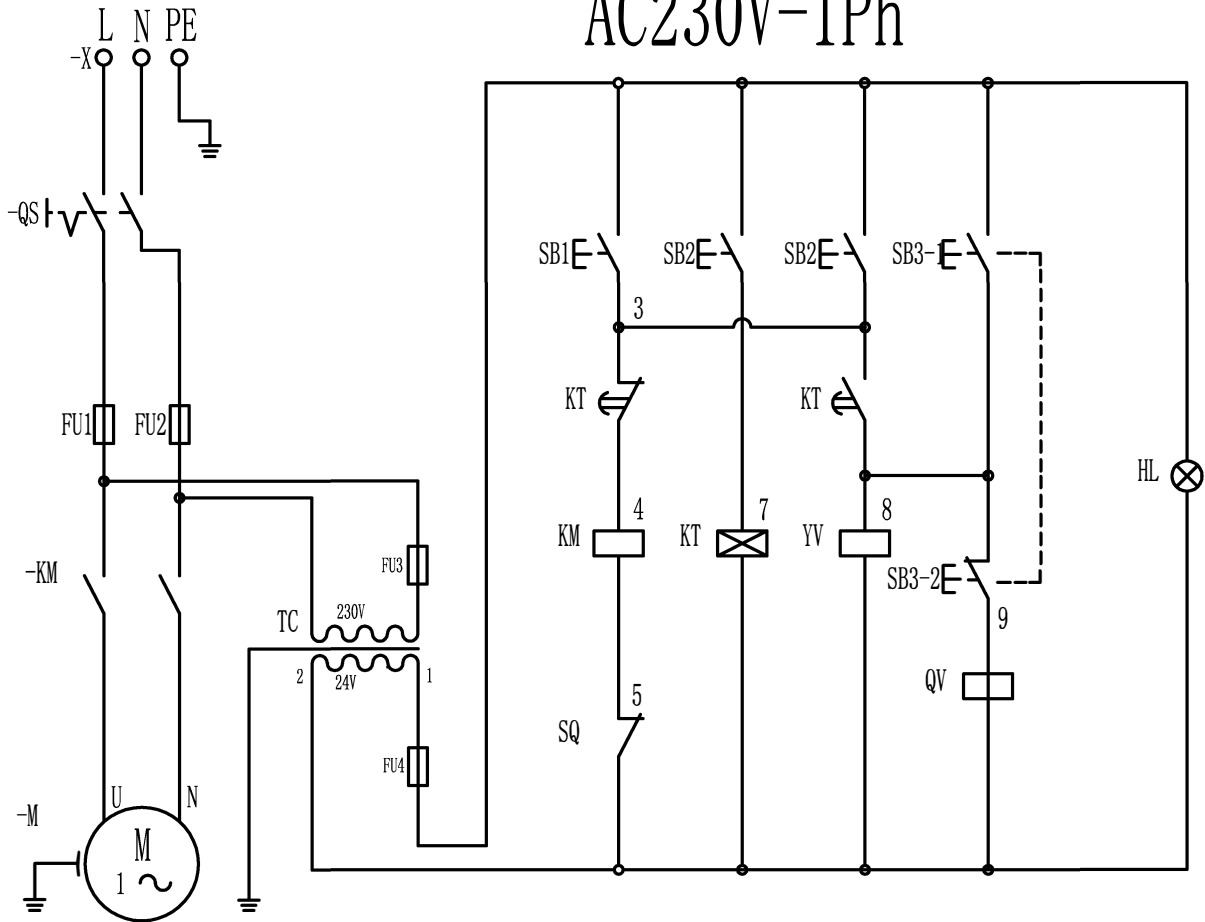


# AC230V-1Ph



QS: Mains switch

FU: Fuses

KM: AC contactor

TC: Isolate transformer

SQ: limit switch

SB1: Lift button

SB2: Down button

SB3: Lock button

HL: Power light

YV: Unloading valve

QV: Air valve

**OLYMPIC®**

5917 195th St NE #6, Arlington WA 98223

<https://olympic-equipment.com>

866-774-4531